

iQ500

Brand Value Class: IQ500

Built-under double oven
NB535ABS0B black



B



Shorten your cooking time thanks to fast preheat.

- ✓ fast preheat: reach the required cooking temperature sooner.
- ✓ 3D hotAir: perfect baking results on up to 3 shelves thanks to innovative heat distribution.
- ✓ lightControl: intuitive operation thanks to the illuminated dial.
- ✓ ecoClean Plus: effortless cleaning thanks to a special coating inside the oven that automatically disintegrates dirt and reduces odours significantly.

Features

Technical Data

Color / Material Front : Stainless steel
 Construction type : Built-in
 Integrated Cleaning system : No
 Dimensions of the product (mm) : 717 x 594 x 550
 Dimensions of the packed product (HxWxD) (mm) : 790 x 690 x 660
 Control Panel Material : Glass
 Door Material : Glass
 Net weight (kg) : 46.722
 Usable volume of cavity (l) : 47
 Cooking method : Conventional heat, Full width grill, Hot Air, Hotair gentle, Hot air grilling
 Temperature control : No control of the temperature
 Number of interior lights : 1
 Approval certificates : CE, VDE
 EAN code : 4242003803264
 Energy efficiency class (2010/30/EC) : A
 Energy consumption per cycle conventional (2010/30/EC) : 0.84
 Energy consumption per cycle forced air convection (2010/30/EC) : 0.71
 Energy efficiency class (2010/30/EC) - cavity 2 : B
 Energy consumption per cycle conventional - cavity 2 (2010/30/EC) : 0.83
 Energy efficiency index (2010/30/EC) : 94.7
 Energy efficiency index cavity 2 (2010/30/EC) : 120.3
 Electrical connection rating (W) : 5600
 Current (A) : 25
 Voltage (V) : 220-240
 Frequency (Hz) : 50
 Plug type : fixed connection, no plug

Included accessories

- 2 x combination grid
- 1 x universal pan

Optional accessories

- HZ634000 Baking and roasting grid (standard)



iQ500

Brand Value Class: IQ500

Built-under double oven

NB535ABS0B black

Features

Design

- White display with blue indicator lights
- Bar handle
- lightControl: intuitive operation thanks to the illuminated dials
- Stainless steel control dial

Main Lower oven

- Oven capacity: 47 litre
- 1 interior halogen light
- Smooth enamelled oven interior, Removable wire shelf support rails
- Heating-up indicator
- Cavity with shelf support rails

Cleaning

- EcoClean Direct :side liners, back panel, ceiling
- EcoClean Direct : back panel
- Full glass inner door

Programmes/functions

- Oven with 5 heating methods: 3D hot air, conventional top & bottom heating, hot air grilling, full width grill, Hotair gentle
- fast preheat function

Secondary top oven

- Cavity volume: 34 l
- Smooth enamelled oven interior, Removable wire shelf support rails
- 1 interior halogen light

Cleaning

- EcoClean Direct :side liners, back panel, ceiling
- Full glass inner door

Programmes/functions

- Oven with 4 heating methods: conventional oven, Large-area grill, Small area grill, bottom heat

Accessories

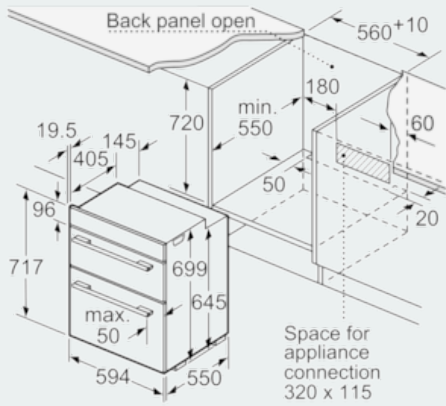
- 2 x combination grid, 1 x universal pan
- Cavity with shelf support rails

Performance/technical information

- Nominal voltage: 220 - 240 V
- Appliance dimension (hxwxd): 717 mm x 594 mm x 550 mm
- Please refer to the dimensions provided in the installation manual
- Energy efficiency rating (acc. EU Nr. 65/2014): B (at a range of energy efficiency classes from A+++ to D)
- Energy consumption per cycle in conventional mode: 0.84 kwh
- Energy consumption per cycle in fan-forced convection mode: 0.71 kwh
- Number of cavities: 2
- Heat source: electrical

iQ500
Brand Value Class: IQ500
Built-under double oven
NB535ABS0B black

Dimensioned drawings



measurements in mm

If the appliance will be installed underneath a hob, the following worktop thicknesses (including substructure if necessary) must be taken into account.

| Hob type | min. worktop thickness | |
|----------------------------|------------------------|-------|
| | fitted | flush |
| Induction hob | 39 mm | 40 mm |
| Full surface induction hob | 49 mm | 50 mm |
| Gas hob | 29 mm | 36 mm |
| Electric hob | 29 mm | 32 mm |